

BT-4



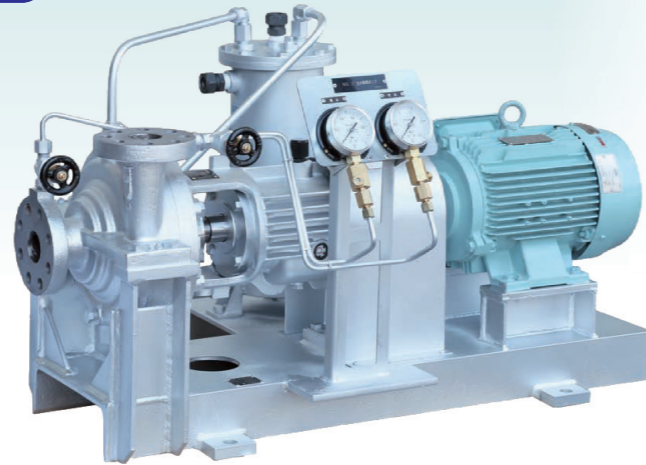
SHINKO IND. LTD.

Horizontal single-stage single-suction with mechanical seal
BW CIRCULATING PUMPS

BT-4 Horizontal single-stage single-suction with mechanical seal
BW CIRCULATING PUMPS

APPLICATIONS

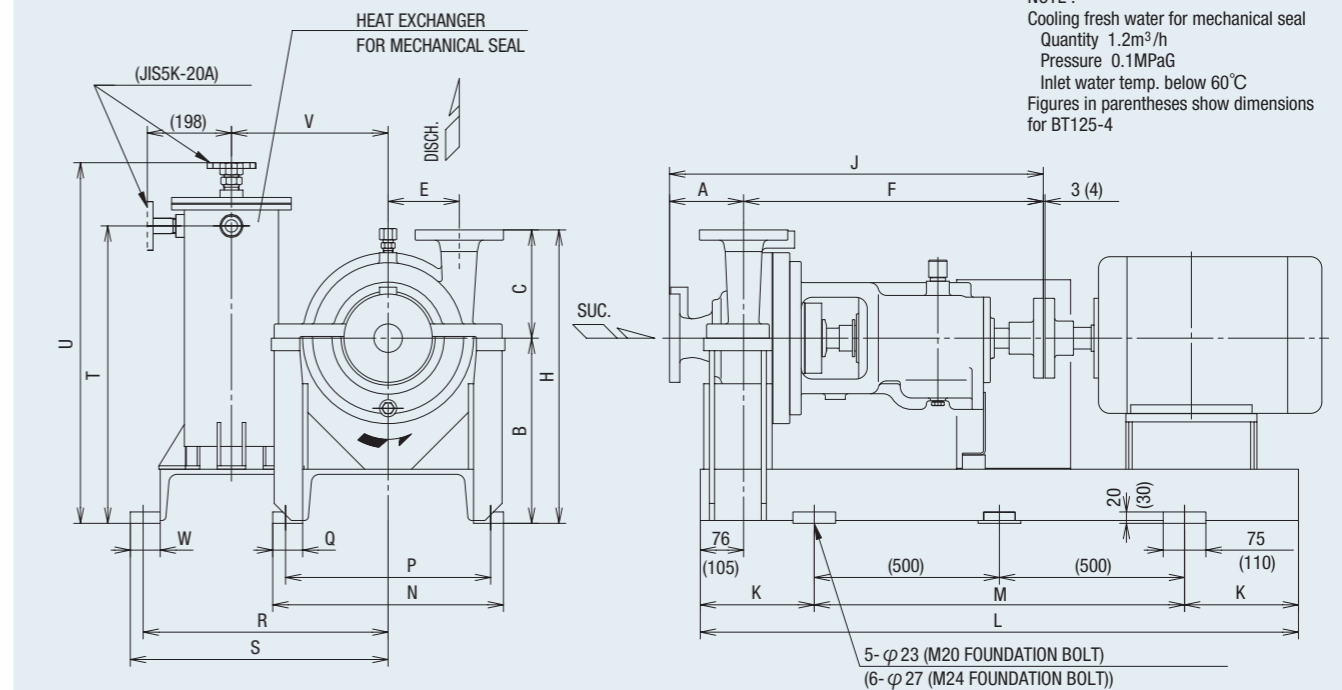
Boiler water circulating pumps



GENERAL CHARACTERISTICS

Item	Model	BT 50-4	BT 70-4	BT 100-4	BT 100-4A	BT 125-4
Rotation		Clockwise when viewed from the driver				
Suction bore	(mm)	50	65	100	125	150
Discharge bore	(mm)	50	65	100	100	125
Amount of LO filled	(ℓ)	0.67 (turbine OIL ISO VG-68)				
Stuffing box seal		Mechanical seal				
Max.output	(kW)	5.5	15	18.5	30	75
weight:FCD	(kg)	155	192	245	255	550
Water filled in casing	(kg)	2	3	3	4.5	20

BT 50-4~125-4



Dimensions:mm

Model	A	B	C	E	F	H	J	K	L	M	N	P	Q	R	S	T	U	V	W	Mecha. seal
BT 50-4	130	325	190	125	526	515	656	200	1050	650	405	360	52.5	430	452.5	522	615	275	52.5	35
BT 70-4	130	325	210	125	526	535	656	200	1150	750	405	360	52.5	430	452.5	522	615	275	52.5	35
BT 100-4	150	350	210	135	526	560	676	200	1200	800	530	485	75	495	517.5	532	615	315	77.5	35
BT 100-4A	160	350	210	135	535	560	695	200	1200	800	530	485	75	495	517.5	532	633	315	77.5	35
BT 125-4	160	520	400	0	500	920	660	200	1400	1000	850	790	75	—	—	594	757	290	—	45

PERFORMANCE CHART

