

Horizontal two-stage single-suction CENTRIFUGAL PUMPS

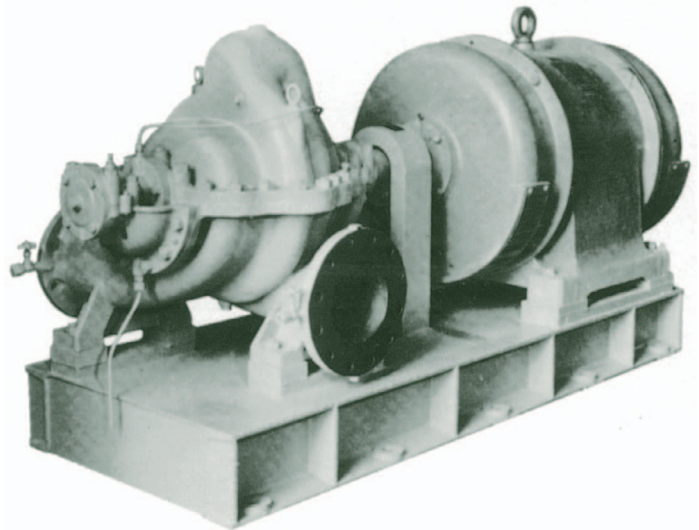


APPLICATIONS

- General cooling pumps
- Deaerator feed pumps
- Fire pumps

SPECIFICATIONS

- Total head 25 to 190m
- Temperatures Below 100°C

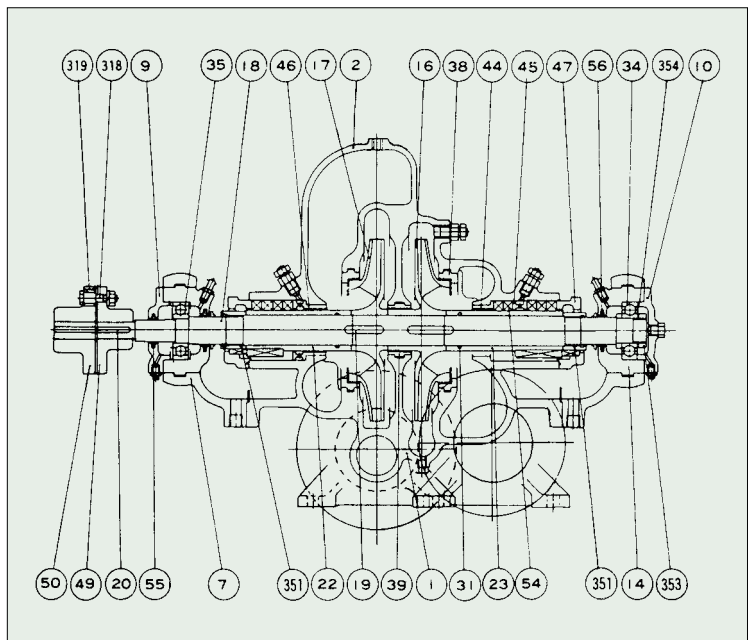


GENERAL CHARACTERISTICS

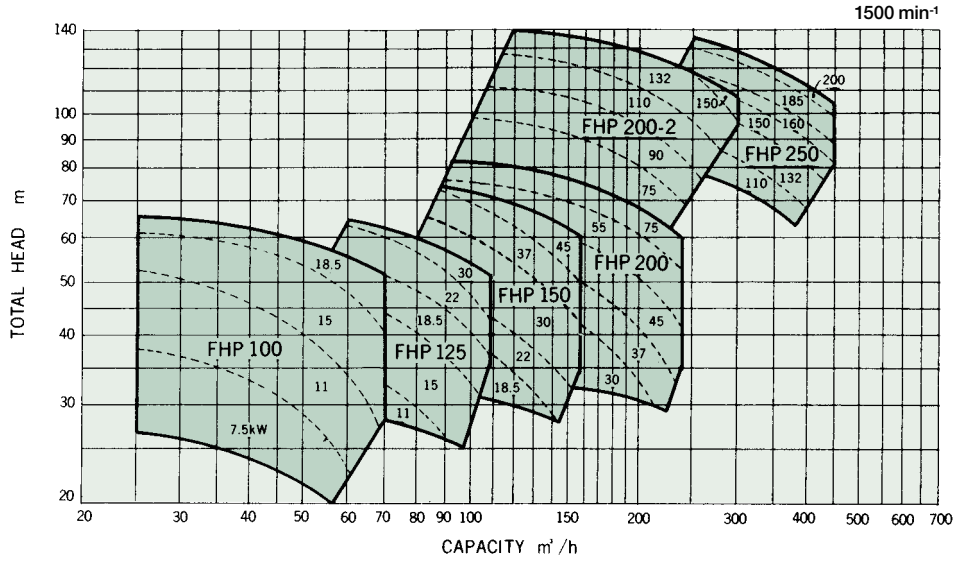
Item	Model	FHP 100	FHP 125	FHP 150	FHP 200	FHP 200-2	FHP 250
Rotation		Clockwise when viewed from the driver					
Suction bore	(mm)	100	125	150	200	200	250
Discharge bore	(mm)	100	125	150	200	200	250
Ball bearings		6307	6307	6309	6309	6311	6314
Service life	(hr)	Above 60000					
Amount of grease filled	(g)	2×10	2×10	2×20	2×20	2×30	2×50
Stuffing box seal		Gland packing or mechanical seal					
Weight with baseplate	(kg)	290	350	500	600	750	1100

DESIGN & STANDARD MATERIALS

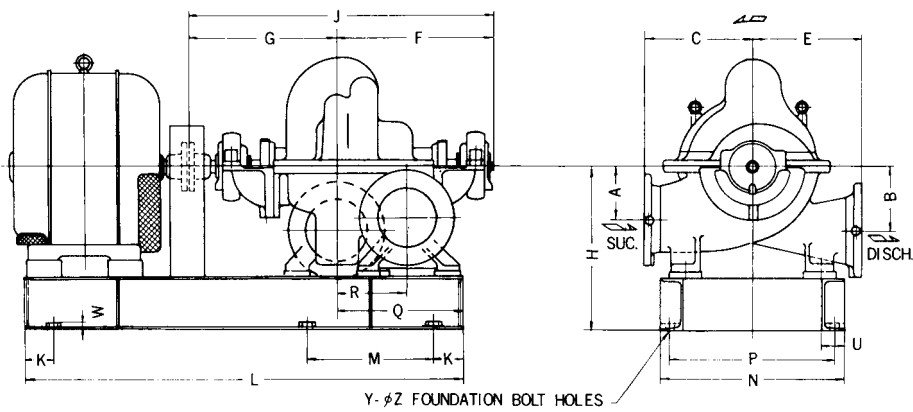
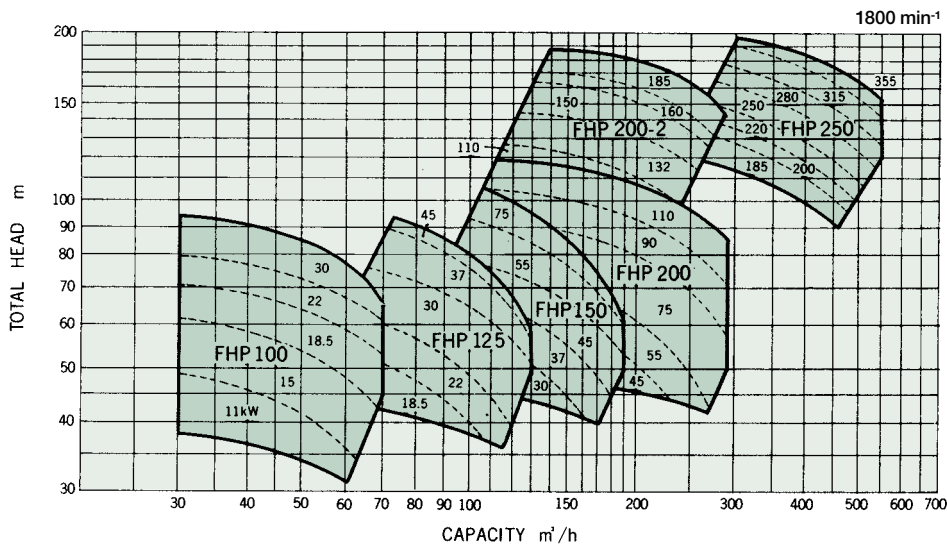
PART NO.	NAME OF PART	MATERIAL		REQ.NO. FOR 1 PUMP
		NAME	JIS	
1	VOLUTE CASING	CAST IRON	FC200	1
2	VOLUTE COVER	"	"	1
7	BEARING HOUSING	"	"	2 SETS
9, 10	BEARING COVER	"	"	2
14	INNER CASE	"	"	2
16, 17	IMPELLER	PHOSPHOR BRONZE	CAC502A	2
18	IMPELLER SHAFT	STAINLESS STEEL	SUS403	1
22, 23	SLEEVE	"	"	2
34, 35	BALL BEARING	SPECIAL STEEL		2
38	MOUTH RING	BRONZE	CAC403	2
39	CASING RING	"	CAC406	1
44	NECK BUSH	"	"	1
45	SEALING RING	SYNTHETIC RESIN		1
46	LANTERN BUSH	BRONZE	CAC406	1
47	GLAND	"	"	2
49, 50	COUPLING	DUCTILE CAST IRON	FCD400	2
54	GLAND PACKING	CARBONIZED FIBER		2 SETS
318	COUPLING BOLT & NUT	STEEL	SS400	1 SET
319	COUPLING RING	RUBBER		1 SET



50Hz



60Hz



Model	A	B	C	E	F	G	H	J	K	L	M	N	P	Q	R	U	W	Y	Z
FHP 100	180	190	330	300	440	400	425	840	100	1190	330	470	420	210	125	65	25	8	25
FHP 125	180	190	330	300	440	400	440	840	100	1370	390	470	420	315	180	65	25	8	25
FHP 150	190	210	370	350	510	473	510	983	100	1610	470	580	520	340	190	75	25	8	27
FHP 200	180	220	370	370	510	473	560	983	100	1700	500	640	580	430	240	75	25	8	27
FHP 200-2	300	300	500	500	580	560	810	1140	100	2160	490	830	760	430	240	80	30	10	33
FHP 250	320	320	520	500	660	690	780	1350	100	2400	550	980	910	500	280	80	30	10	33

SHINKO IND.LTD.