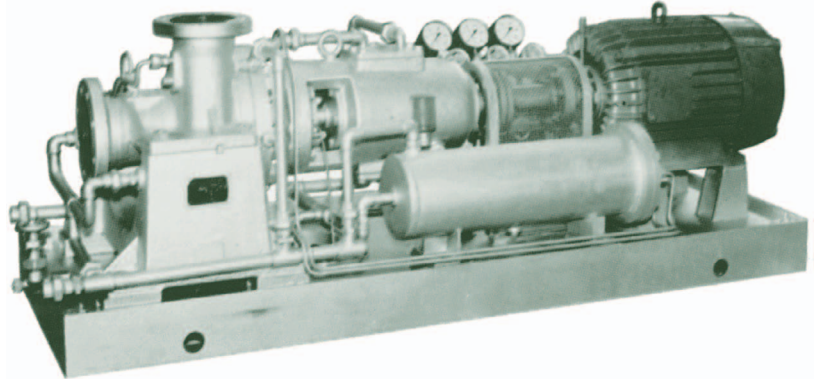


Horizontal single-stage single-suction radial-split GENERAL PROCESS PUMPS



APPLICATIONS

- Hot and cold oil pumps
- LPG pumps
- Boiler water circulating pumps
- Other general use



SPECIFICATIONS

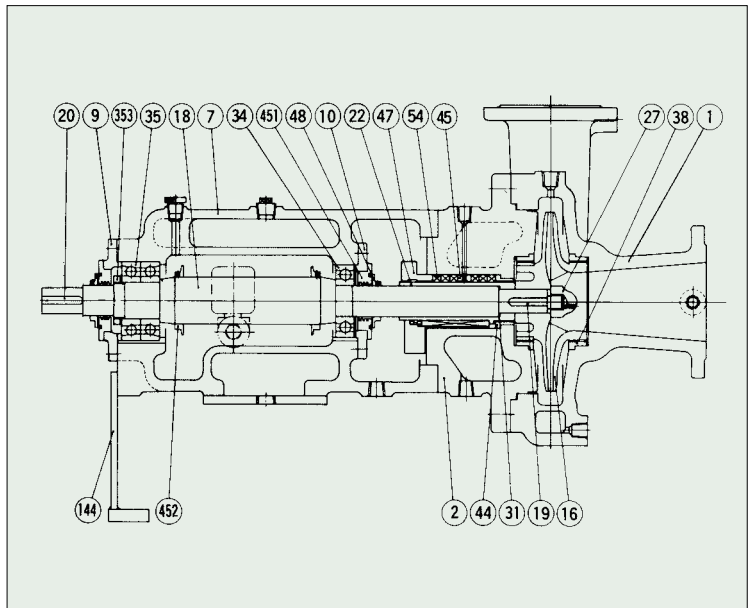
- Total head 10 to 320m
- Temperatures -100 to 450°C

GENERAL CHARACTERISTICS

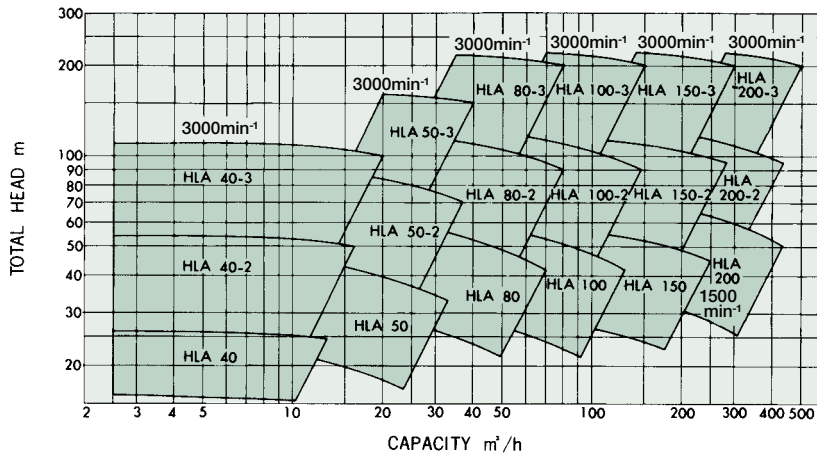
Item	Model	HLA 40	HLA 50	HLA 80	HLA 100	HLA 150	HLA 200
Rotation		Clockwise when viewed from the driver					
Suction bore	(mm)	50	80	100	150	200	250
Discharge bore	(mm)	40	50	80	100	150	200
Ball bearings at coupling side		2 single row angular contact (73 type)					
Ball bearings at opposite side		1 single row deep groove (63 type)					
Lubrication		Oil bath (turbine oil ISO VG 56 ~68)					
Stuffing box seal		Gland packing or mechanical seal					
Weight with baseplate	(kg)	360~420	390~480	460~550	500~600	570~700	750~980

DESIGN & STANDARD MATERIALS

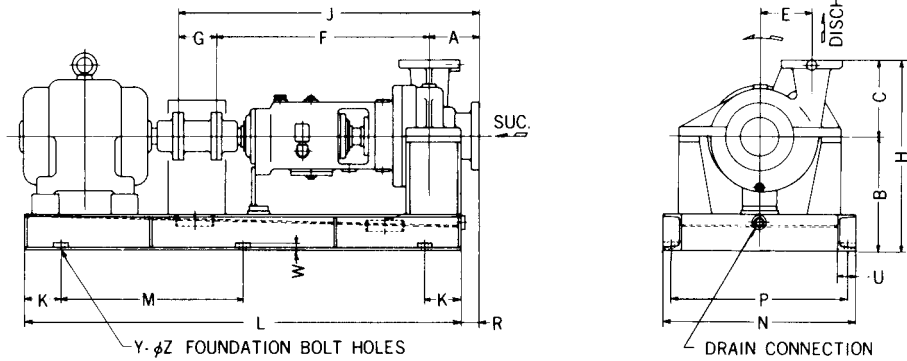
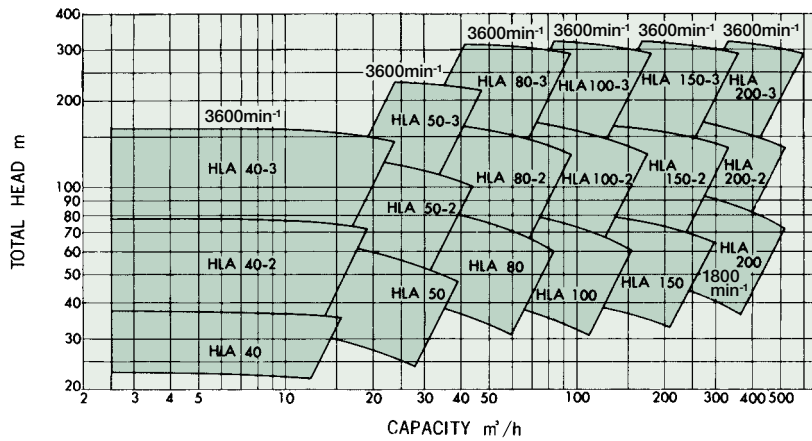
PART NO.	NAME OF PART	MATERIAL		REQ.NO. FOR 1 PUMP
		NAME	JIS	
1	VOLUTE CASING	STAINLESS STEEL	SCS	1
2	VOLUTE COVER	"	"	1
7	BEARING HOUSING	CAST IRON	FC200	1
16	IMPELLER	STAINLESS STEEL	SCS	1
18	IMPELLER SHAFT	"	SUS	1
22	SLEEVE	"	"	1
27	IMPELLER NUT	"	SUS403	1
34	BALL BEARING	SPECIAL STEEL		1
35	BALL BEARING	"		2
38	MOUTH RING			2
44	NECK BUSH			1
45	SEALING RING			1
47	GLAND			1
54	GLAND PACKING			1 SET
451	LABYRINTH			2



50Hz



60Hz



mm

Model	A	B	C	E	F	G	H	J	K	L	M	N	P	R	U	W	Y	Z
HLA 40	125	260	190	100	678	100	450	905	100	1200	500	350	310	40	50	25	6	19
HLA 40-2	125	310	220	130	678	100	530	905	100	1400	600	400	360	40	50	25	6	19
HLA 40-3	125	400	300	170	678	100	700	905	100	1500	650	490	450	40	50	25	6	19
HLA 50	150	290	200	120	678	100	490	928	100	1400	600	400	360	40	50	25	6	19
HLA 50-2	150	350	240	150	678	100	590	928	100	1500	650	460	420	40	50	25	6	19
HLA 50-3	150	480	350	210	678	100	830	928	100	1700	750	630	580	40	65	25	6	23
HLA 80	175	325	220	140	678	100	545	953	150	1500	600	450	400	50	65	25	6	23
HLA 80-2	175	410	280	190	678	100	690	953	150	1700	700	580	530	50	65	25	6	23
HLA 80-3	175	565	400	250	790	150	965	1115	150	2000	850	710	650	50	75	30	6	27
HLA 100	200	375	260	160	678	100	635	978	150	1600	650	560	510	75	65	25	6	23
HLA 100-2	200	450	310	210	790	150	760	1140	150	2000	850	660	600	75	75	30	6	27
HLA 100-3	200	565	420	260	790	150	985	1140	150	2200	950	760	700	75	75	30	6	27
HLA 150	250	450	250	180	790	150	700	1190	150	1900	800	670	610	100	75	30	6	27
HLA 150-2	250	490	350	230	790	150	840	1190	150	2000	850	730	670	100	75	30	6	27
HLA 150-3	250	610	470	280	880	180	1080	1310	150	2500	1100	830	760	100	90	30	6	33
HLA 200	300	650	480	320	880	180	1130	1360	150	2200	950	980	910	150	90	30	6	33
HLA 200-2	300	590	400	240	880	180	990	1360	150	2400	1050	800	730	150	90	30	6	33
HLA 200-3	300	670	500	300	980	180	1170	1460	150	3000	900	910	840	150	90	30	8	33

SHINKO IND.LTD.