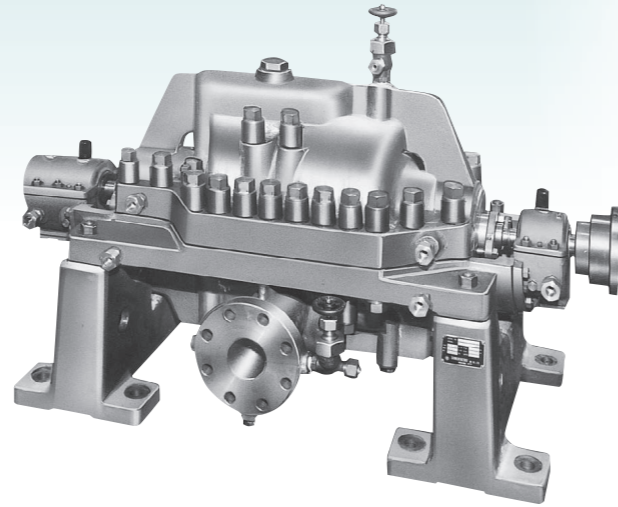


APPLICATIONS

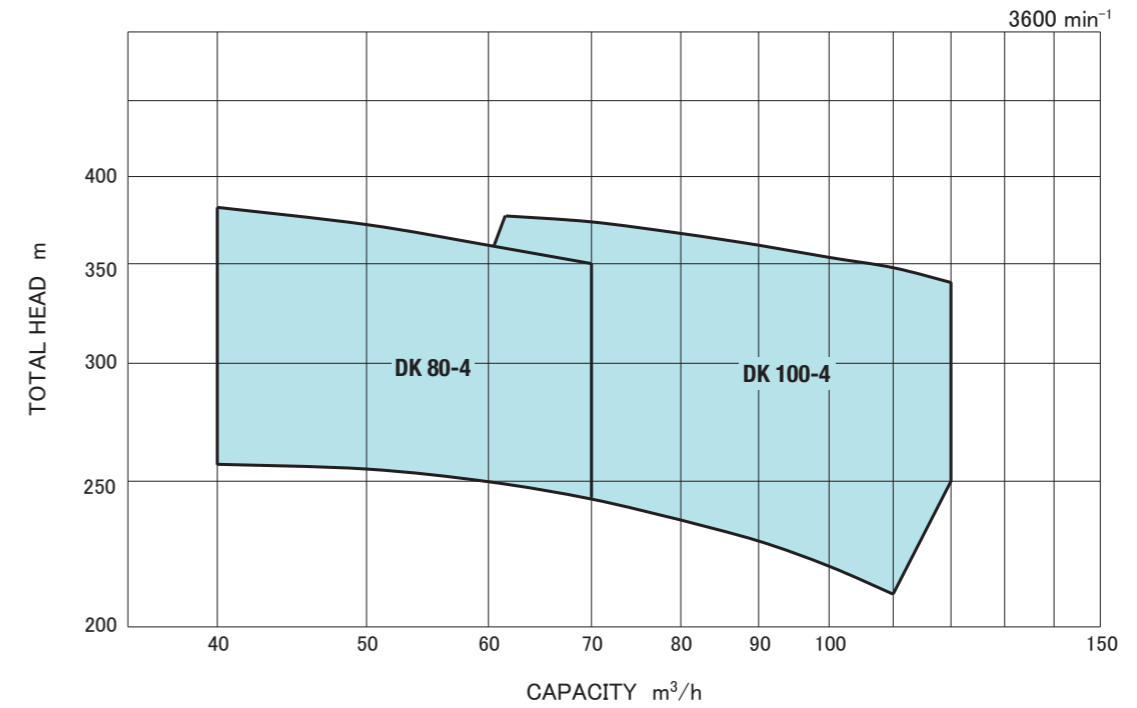
Feed pumps for cargo boilers on diesel ships

GENERAL CHARACTERISTICS

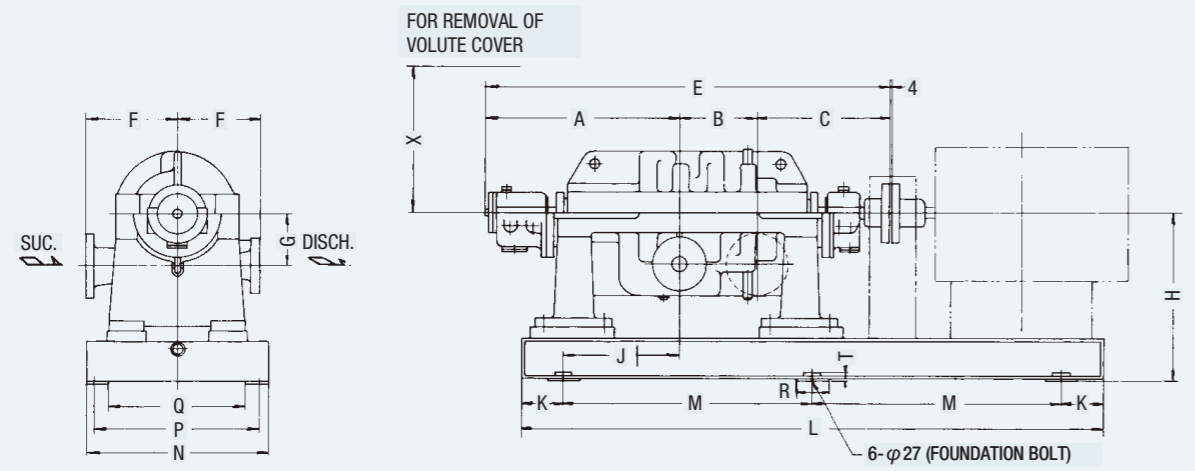
Item	Model	DK 80-4	DK 100-4
Rotation		Clockwise when viewed from the driver	
Suction bore (mm)		100	125
Discharge bore (mm)		80	100
Lubrication system		Oil ring	
LO required (ℓ)		0.7	
Stuffing box seal		Gland packing or Mechanical seal	
Max.output (kW)		110	185
weight:FCD (kg)		910	1100
Water filled in casing (kg)		38	48



PERFORMANCE CHART



DK 80-4~100-4



Dimensions:mm

Model	A	B	C	E	F	G	H	J	K	L	M	N	P	Q	R	T	Mecha. seal
DK 80-4	600	239	411	1250	320	170	550	450	150	2100	900	600	540	450	110	25	50
DK 100-4	590	255	400	1245	320	175	590	450	150	2150	925	650	590	500	110	25	50