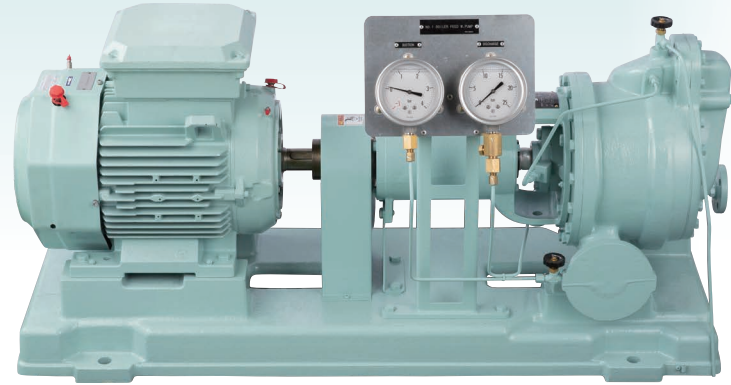


APPLICATIONS

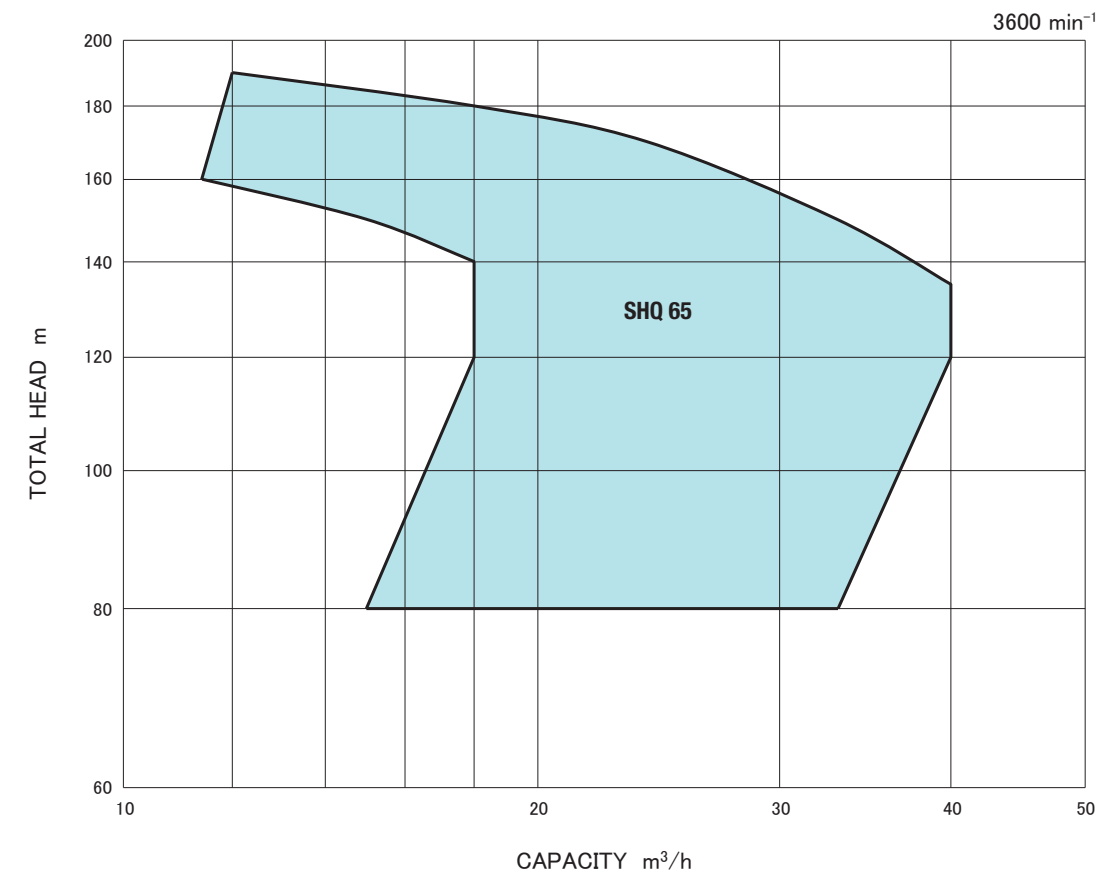
Feed pumps for exhaust gas boilers on diesel ships

GENERAL CHARACTERISTICS

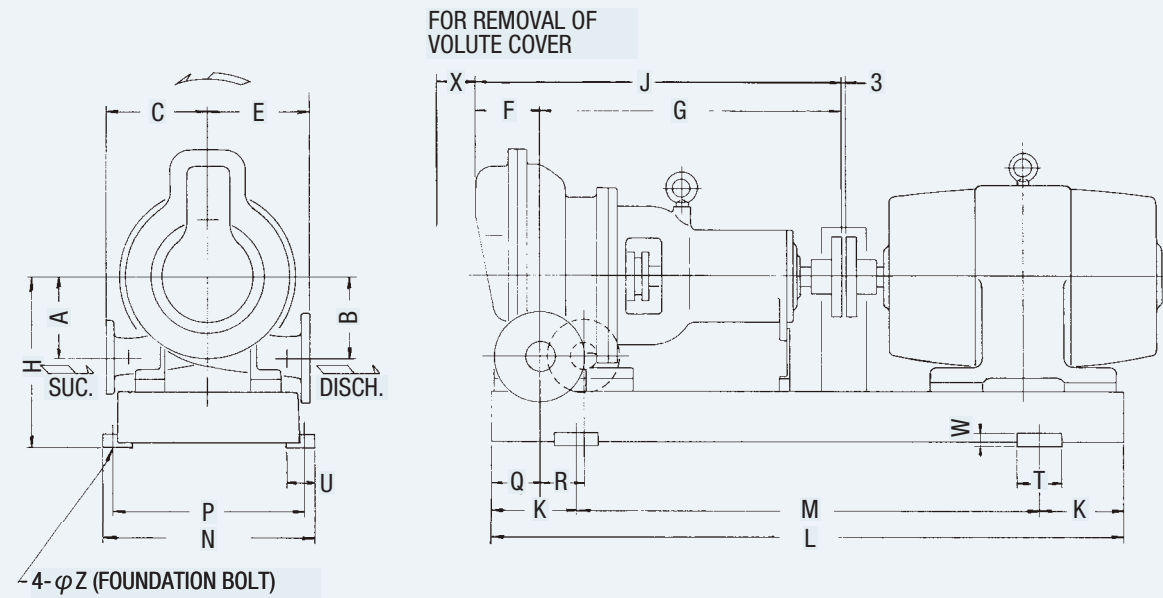
Item	Model	SHQ 65
Rotation		Clockwise when viewed from the driver
Suction bore	(mm)	65
Discharge bore	(mm)	65
Stuffing box seal		Gland packing or Mechanical seal
Max.output	(kW)	30
weight:FC(FCD)	(kg)	180
Water filled in casing	(kg)	7



PERFORMANCE CHART



SHQ 65



Dimensions:mm

Model	A	B	C	E	F	G	H	J	K	L	M	N	P	Q	R	T	U	W	X	Z	Mecha. seal
SHQ 65	150	150	200	200	130	554	335	684	150	1250	950	460	410	110	90	100	65	30	90	25	40