

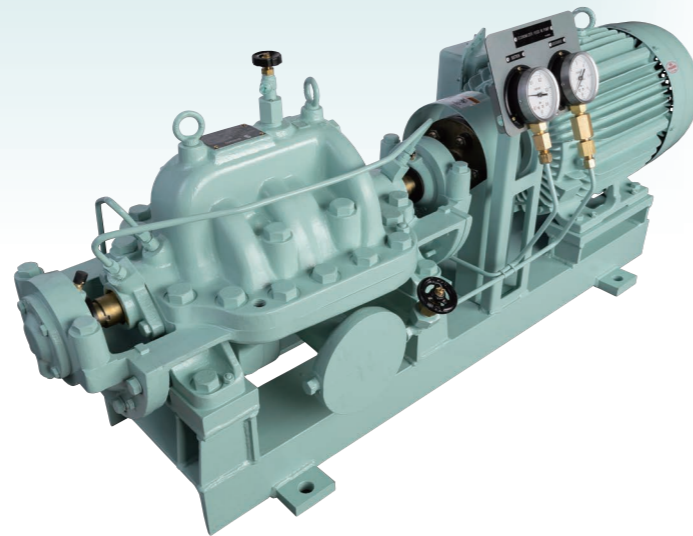
APPLICATIONS

Feed pumps for exhaust gas boilers on diesel ships

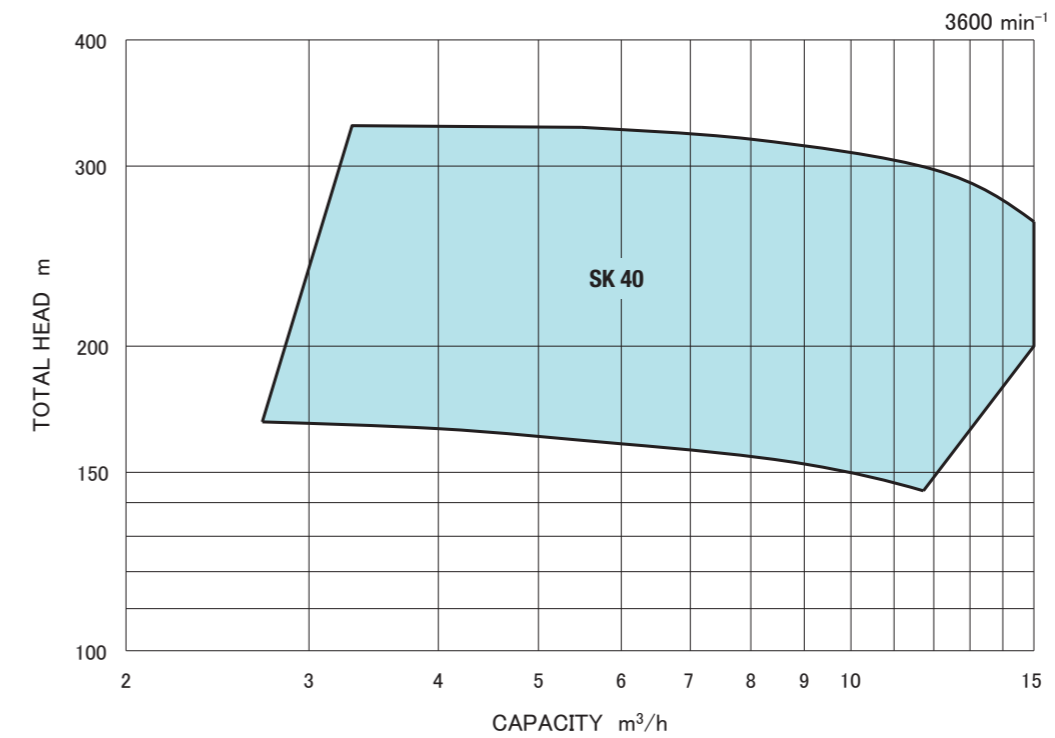
Cold start feed pumps for LNG carriers

GENERAL CHARACTERISTICS

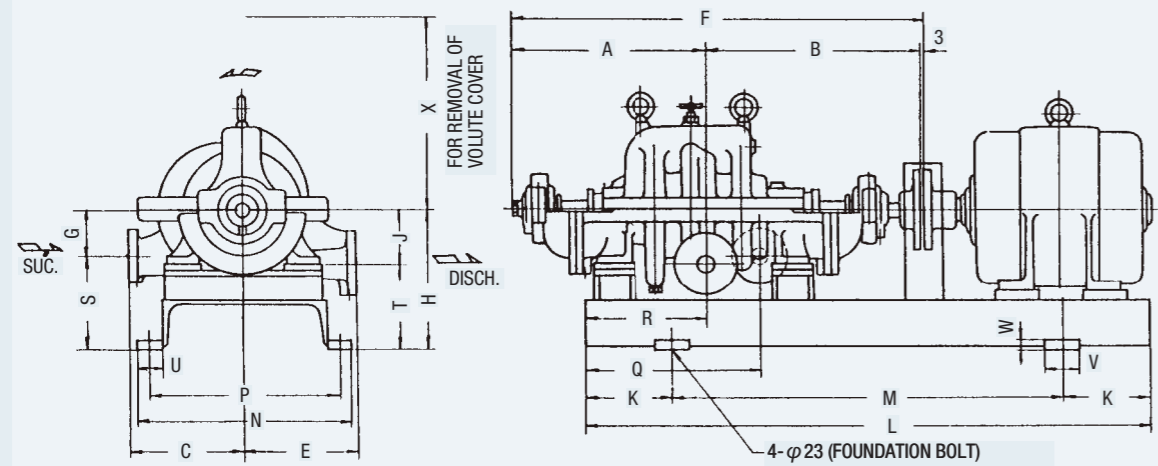
Item	Model	SK 40
Rotation		Clockwise when viewed from the driver
Suction bore	(mm)	40
Discharge bore	(mm)	40
Stuffing box seal		Gland packing or Mechanical seal
Max.output	(kW)	30
weight:FC(FCD)	(kg)	240
Water filled in casing	(kg)	9



PERFORMANCE CHART



SK 40



Dimensions:mm

Model	A	B	C	E	F	G	H	J	K	L	M	N	P	Q	R	S	T	U	V	W	X	Mecha. seal
SK 40	390	415	200	200	805	100	325	115	150	1150	850	400	360	365	250	225	210	50	75	20	1000	40